

# QBM-75000-110000

## 75~110GHz

### Features:

- \* Low Conversion Loss
- \* High Isolation

### Applications:

- \* Wireless
- \* Transceiver
- \* Laboratory Test
- \* Broadcast

### Electrical

|                  |            |
|------------------|------------|
| RF Frequency:    | 75~110GHz  |
| RF Input Power:  | 10dBm max. |
| LO Input Power:  | 15dBm max. |
| IF Frequency:    | DC~12GHz   |
| Conversion Loss: | 10dB typ.  |
| LO-RF Isolation: | 20dB typ.  |
| LO Power:        | 8dBm typ.  |
| RF Input VSWR:   | 1.3typ.    |
| IF Input VSWR:   | 1.3typ.    |
| Voltage:         | +5V        |

### Mechanical

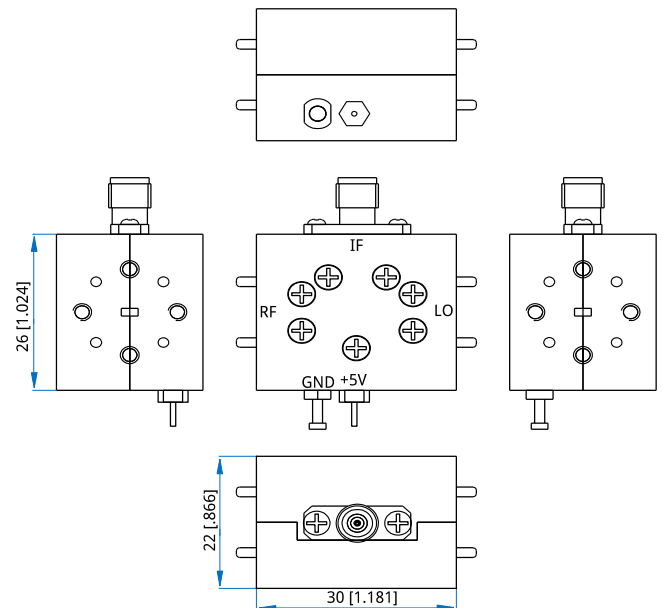
|                |                                   |
|----------------|-----------------------------------|
| Size*1:        | 30*26*22mm<br>1.181*1.024*0.866in |
| RF Connectors: | WR-10, UG-387/UM                  |
| IF Connectors: | 2.92mm Female                     |
| LO Connectors: | WR-10, UG-387/UM                  |

[1] Exclude connectors.

### Environmental

|                            |          |
|----------------------------|----------|
| Operating Temperature:     | 10~+40°C |
| Non-operating Temperature: | 0~+50°C  |

### Outline Drawings



Unit: mm [in]

Tolerance:  $\pm 0.1$ mm [ $\pm 0.004$ in]

### How To Order

**QBM-75000-110000**

Customization is available upon request.